



## Level Sensor KGF

Capacitive compact level sensor



- Level sensor for aqueous media, oils, granules.
- Sensor can detect the level of the medium in the plastic container from the outside.
- Small size (KGF014)
- Universally applicable.
- PTFE housing.
- Thread M14x1 and M30x1.5.
- AC 20 ... 250V, DC 10 ... 55V

D-DE-KGF-20190604



## Level Sensor KGF

Capacitive compact level sensor

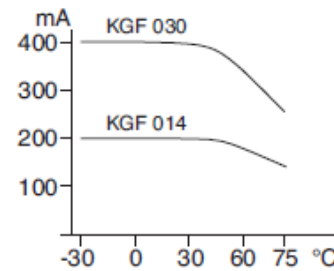
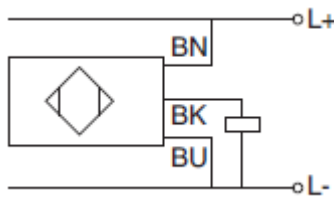
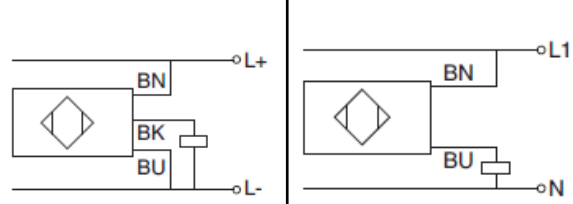
Technical data						
Design	DC PNP • M14x1		DC PNP • M30x1,5		AC • M30x1,5	
Dimensions						
Switching point sp [mm]	-2	-2	-3	-3	-3	-3
Switching output						
ID-No.	P20130	P21106	P20051	P20052	P20002	P20003
Type	KGF 014 GSP	KGF 014 GOP	KGF 030 GSP	KGF 030 GOP	KGF 030 WS	KGF 030 WO
Supply voltage [V]	10...33 DC		10...55 DC		20...250 AC	
Switching current [mA]	200		400		400	
Short circuit proof	•		•		-	
Overcurrent release [mA]	800		800		-	
Reverse protection	•		•		-	
Voltage drop [V]	1 DC		1 DC		8 AC	
Minimum load current [mA]	-		-		5	
Current consumption [mA]	4		4		2,5	
Switching frequency [Hz]	10		10		10	

D-DE-KGF-20190604



## Level Sensor KGF

Capacitive compact level sensor

Technical data			
Design	DC PNP • M14x1	DC PNP • M30x1,5	AC • M30x1,5
Ambient temperature [°C]	-25...+75		
EMC class	A		
Protection [EN 60529]	IP 67		
LED display	•		
Housing material	PTFE		
Connection	2 m PVC-cable 3x0,34 mm <sup>2</sup>	2 m PVC-cable 0,5 mm <sup>2</sup>	
Switching current			
Accessories	Fixing nuts are part of delivery		

### Application

Level detection of

- aqueous media such as e.g. water, acids, alkalis
- many oils
- granules, e.g. salt

### Important instructions!

Technical changes and errors reserved.

Pictures can be similar.

The operating instructions belonging to this device must be observed! Download at [www.schmidt-messtechnik.com](http://www.schmidt-messtechnik.com).